

## Swivel clamp mountings

Aluminium

### SPECIFICATION

#### Types

- Type **Q**: Clamping bore transverse to the swivel axis
- Type **P**: Clamping bore parallel to the swivel axis

Aluminium

- matt, slide ground **MT**
- anodized black **ELS**

Cylinder head screws DIN 912

Stainless Steel AISI 304



### INFORMATION

Swivel clamp mountings GN 482 can be combined with T-Swivel clamp mountings GN 483 (see page 1891) and attachment clamp mountings GN 484 (see page 1892) with the same k dimensions into swivel clamp mounting joints. Clamping kits GN 511.1 (see page 1894) with screw (type S) and adjustable hand lever (type K) are available for this combination.

Also, the clamping screw  $d_4$  which is a cylinder head screw with DIN 912 hexagonal recess in the standard design - can be replaced by a clamping kit GN 511 (see page 1893).

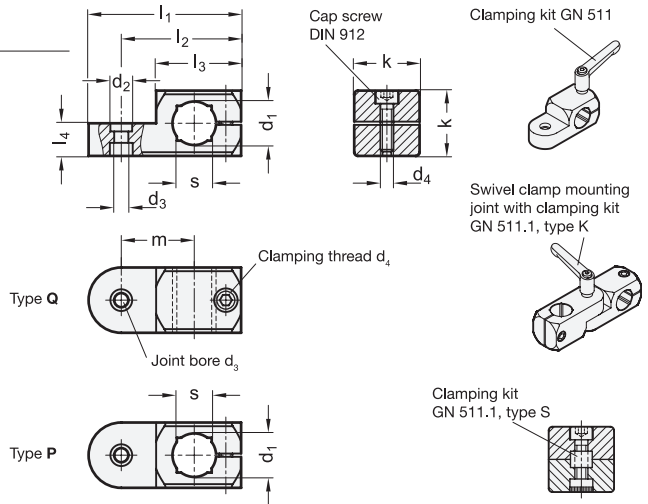
The description for ordering is shown in the dimensional table.

### TECHNICAL INFORMATION

- Stainless Steel characteristics (see page A26)
- ISO Fundamental Tolerances (see page A21)

### ACCESSORY

- Clamping kits GN 511 (see page 1893)
- Clamping kits GN 511.1 (see page 1894)



\* Complete with Finish of the Swivel clamp mountings (MT or ELS)

MT	ELS
matt, slide ground	anodized, black

### GN 482

Description	d1 For shaft tolerance h11	k	d2	d3	d4	l1	l2	l3	m	l4	s	Clamping kits for d3 Type S/K	Clamping kits for d4	Weight
GN 482-B8-16-P-*	B 8	16	7	4.5	M 4	40	32	23	18.5	8	-	GN 511.1-M4-16-S/K	GN 511-M4-16	19
GN 482-B10-20-P-*	B 10	20	8.5	5.5	M 5	50	40	29	23	10	8	GN 511.1-M5-20-S/K	GN 511-M5-20	36
GN 482-B12-20-P-*	B 12	20	8.5	5.5	M 5	50	40	29	23	10	10	GN 511.1-M5-20-S/K	GN 511-M5-20	34
GN 482-B15-25-P-*	B 15	25	10	6.5	M 6	62	49.5	36	29	12.5	12	GN 511.1-M6-25-S/K	GN 511-M6-25	67
GN 482-B16-25-P-*	B 16	25	10	6.5	M 6	62	49.5	36	29	12.5	-	GN 511.1-M6-25-S/K	GN 511-M5-25	66
GN 482-B20-30-P-*	B 20	30	10	6.5	M 6	70	55	39	33.5	15	16	GN 511.1-M6-30-S/K	GN 511-M6-32	99
GN 482-B8-16-Q-*	B 8	16	7	4.5	M 4	40	32	23	18.5	8	-	GN 511.1-M4-16-S/K	GN 511-M4-16	19
GN 482-B10-20-Q-*	B 10	20	8.5	5.5	M 5	50	40	29	23	10	8	GN 511.1-M5-20-S/K	GN 511-M5-20	36
GN 482-B12-20-Q-*	B 12	20	8.5	5.5	M 5	50	40	29	23	10	10	GN 511.1-M5-20-S/K	GN 511-M5-20	35
GN 482-B15-25-Q-*	B 15	25	10	6.5	M 6	62	49.5	36	29	12.5	12	GN 511.1-M6-25-S/K	GN 511-M6-25	60
GN 482-B16-25-Q-*	B 16	25	10	6.5	M 6	62	49.5	36	29	12.5	-	GN 511.1-M6-25-S/K	GN 511-M5-25	65
GN 482-B20-30-Q-*	B 20	30	10	6.5	M 6	70	55	39	33.5	15	16	GN 511.1-M6-30-S/K	GN 511-M6-32	99

Weight ELS